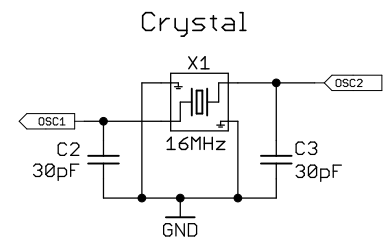
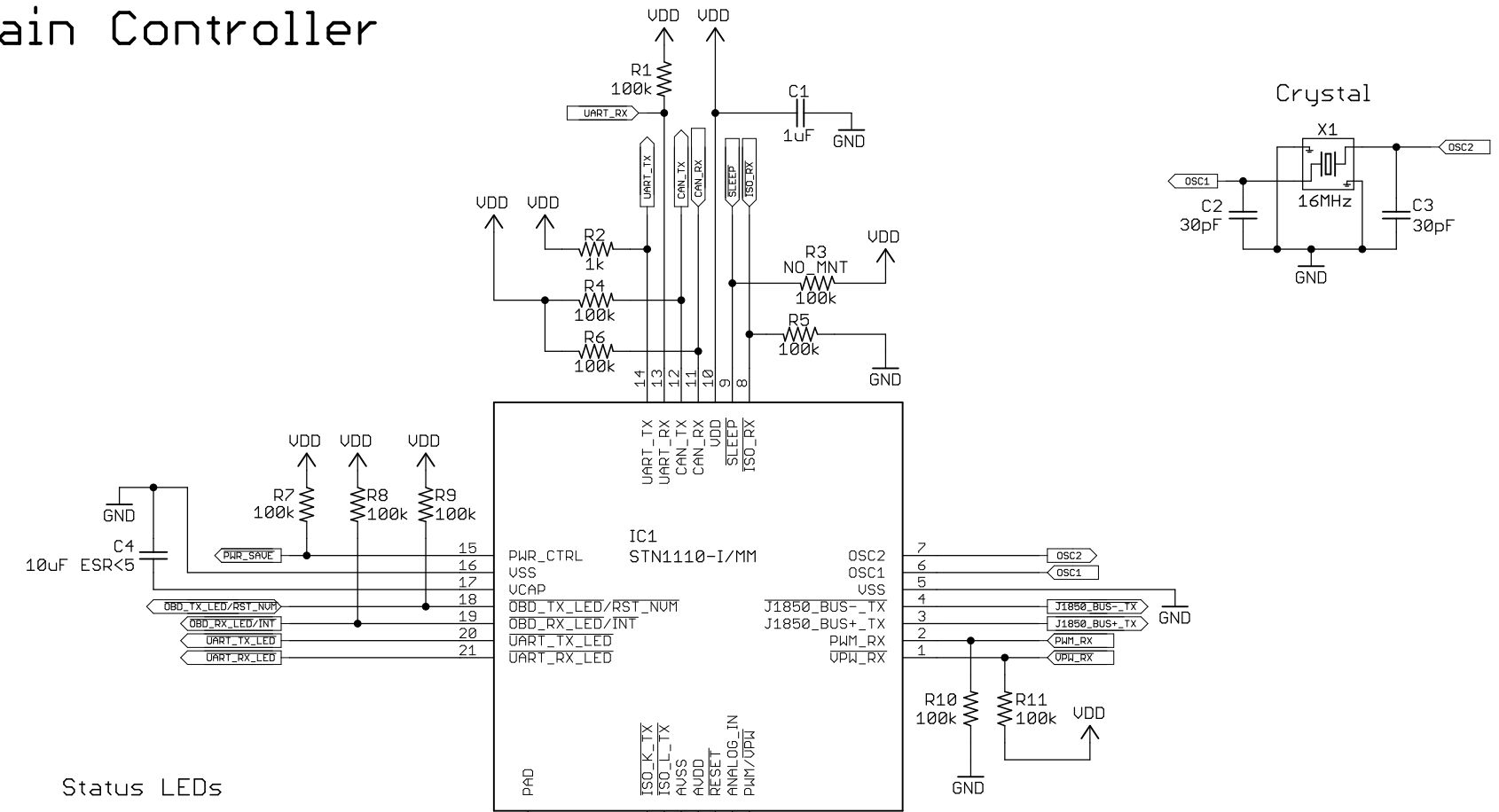
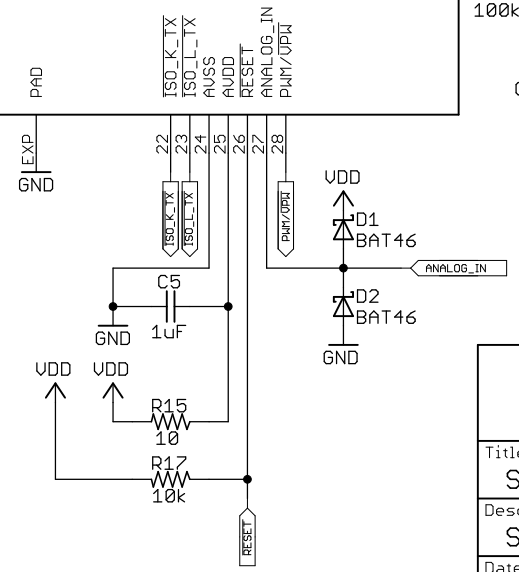
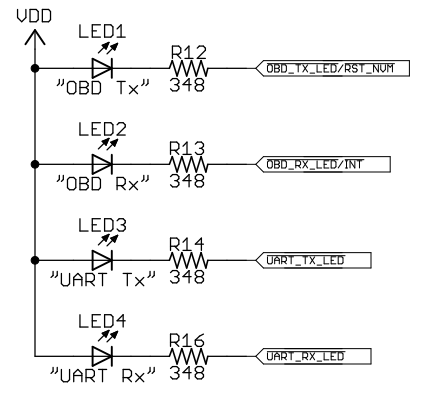


Main Controller

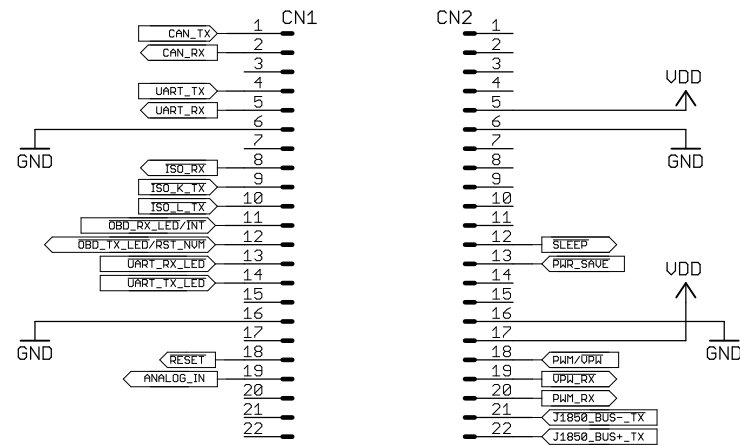


Status LEDs



<h1>OBD Solutions</h1>	
Title: STM-BR-1110	Rev: 1.1/A
Description: STN1110 Breakout Module	
Date: 2015-04-29 12:28:49 PM	Sheet: 1/2

STN Pin Breakout



OBD Solutions

Title: STM-BR-1110	Rev: 1.1/A
Description: STN1110 Breakout Module	
Date: 2015-04-29 12:28:49 PM	Sheet: 2/2