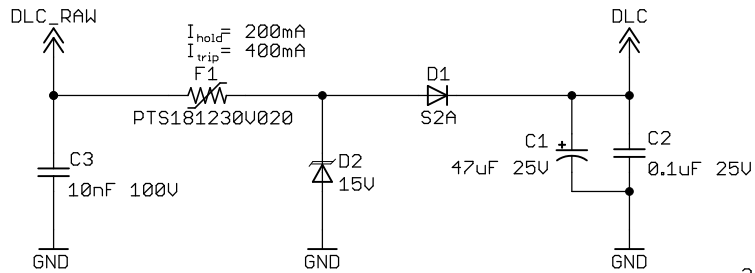
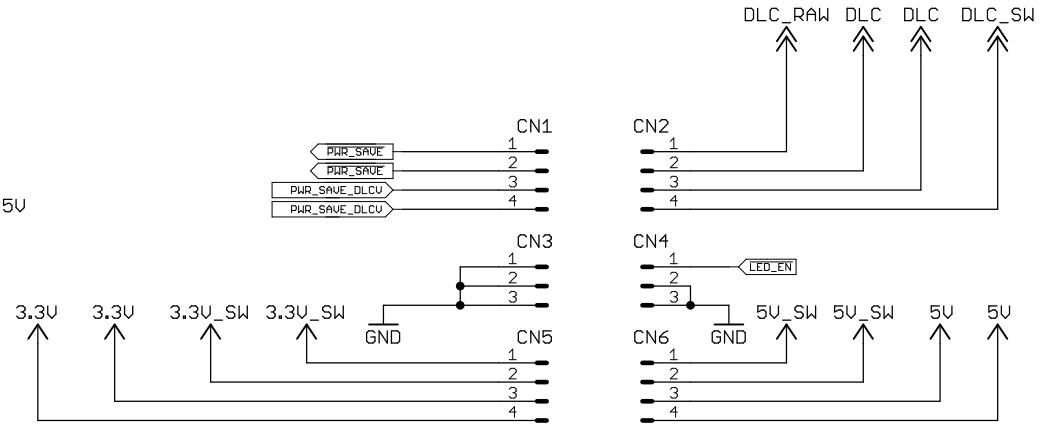


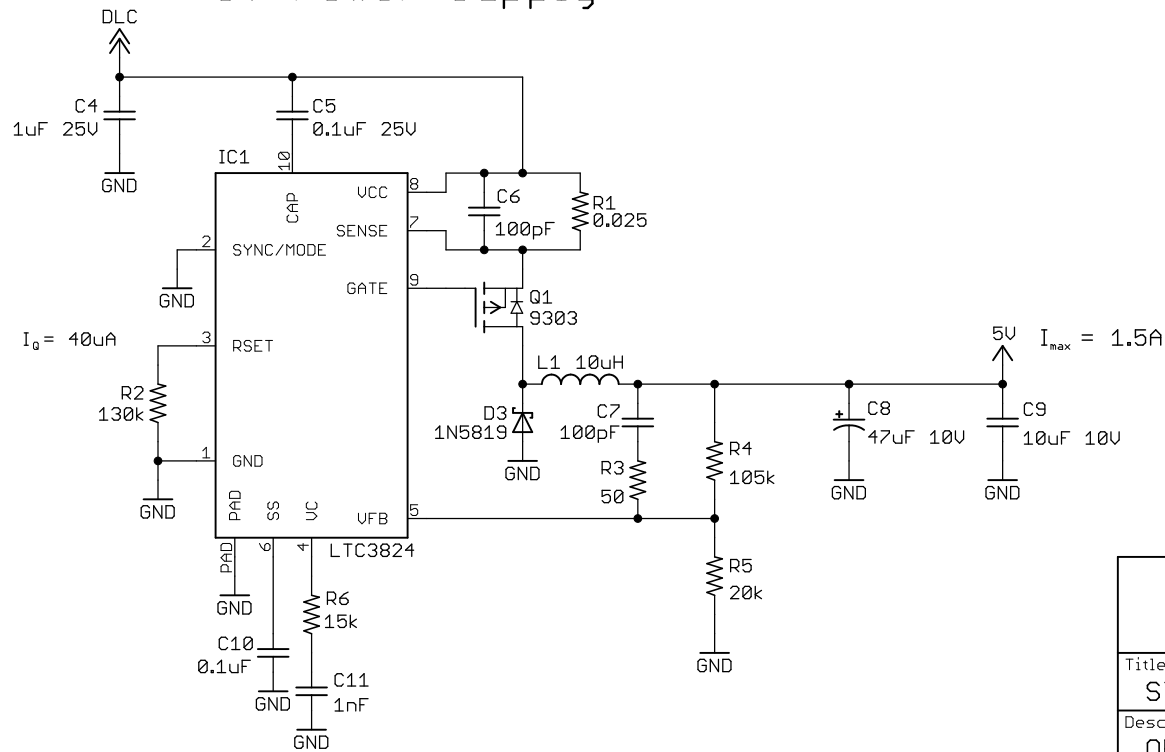
# Input Protection Filter



# Connector



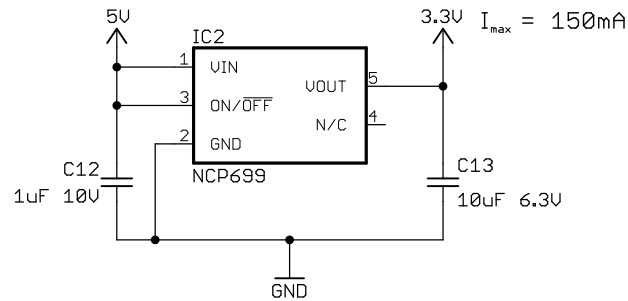
# 5V Power Supply



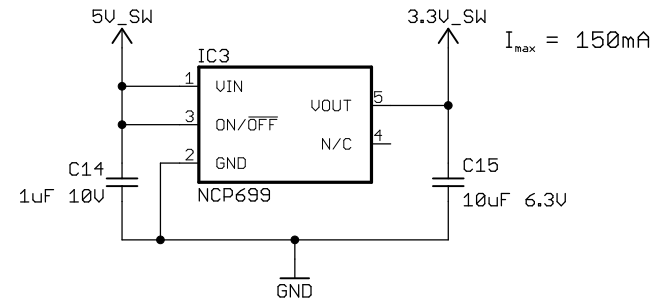
# OBD Solutions

Title: STM-P-05	Rev: 1.5/E
Description: OBD Power Module	
Date: 2015-04-30 5:54:38 PM	Sheet: 1/2

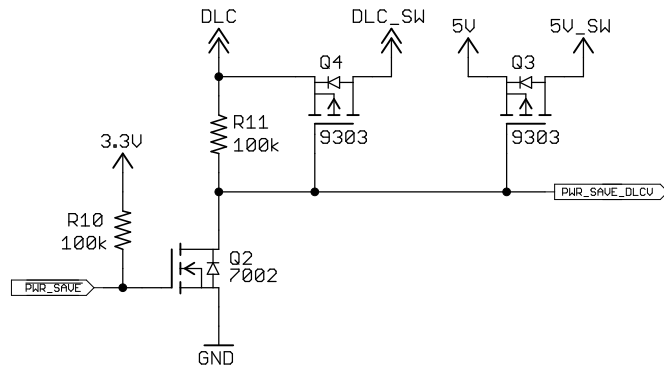
### 3.3V Power Supply



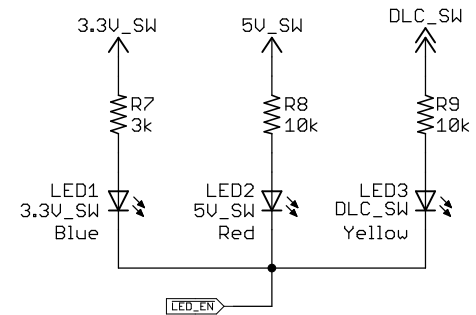
### 3.3V\_SW Power Supply



### Switched Power Control



### LEDS



## OBD Solutions

Title: STM-P-05	Rev: 1.5/E
Description: OBD Power Module	
Date: 2015-04-30 5:54:38 PM	Sheet: 2/2