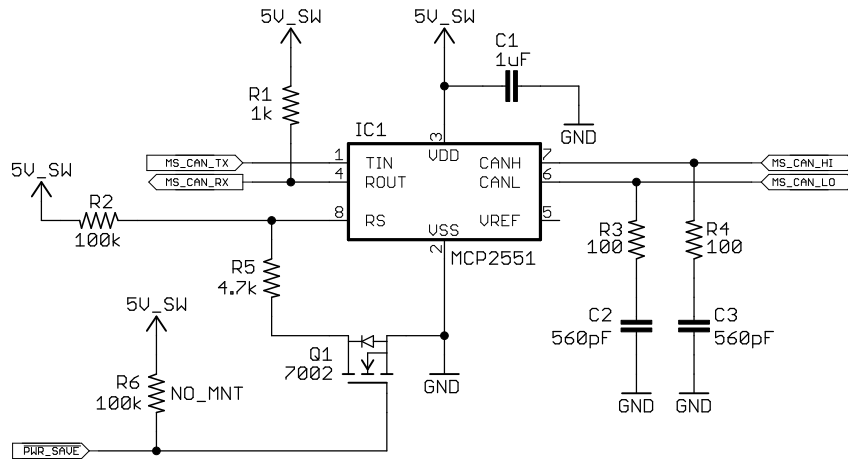
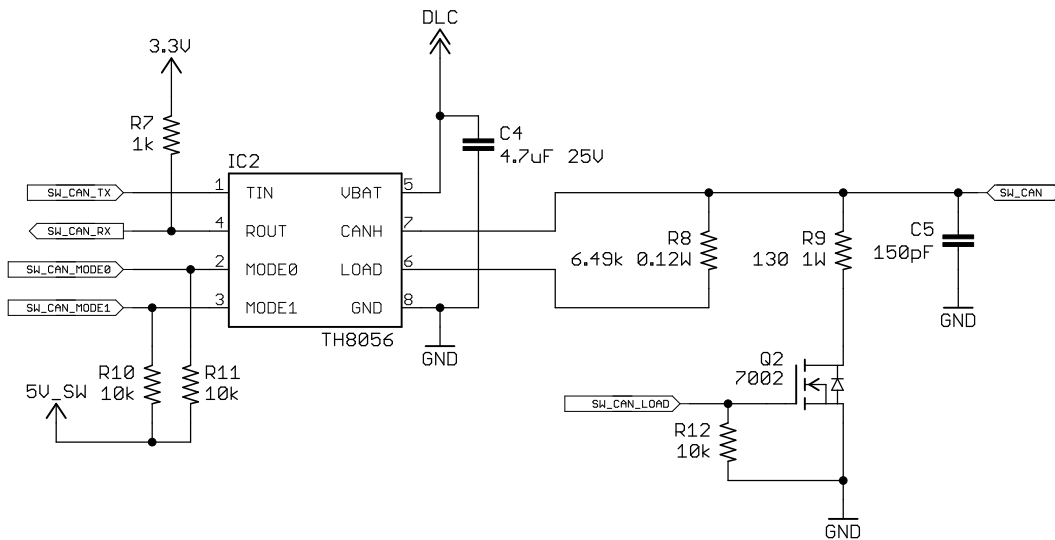


# Medium Speed CAN Transceiver



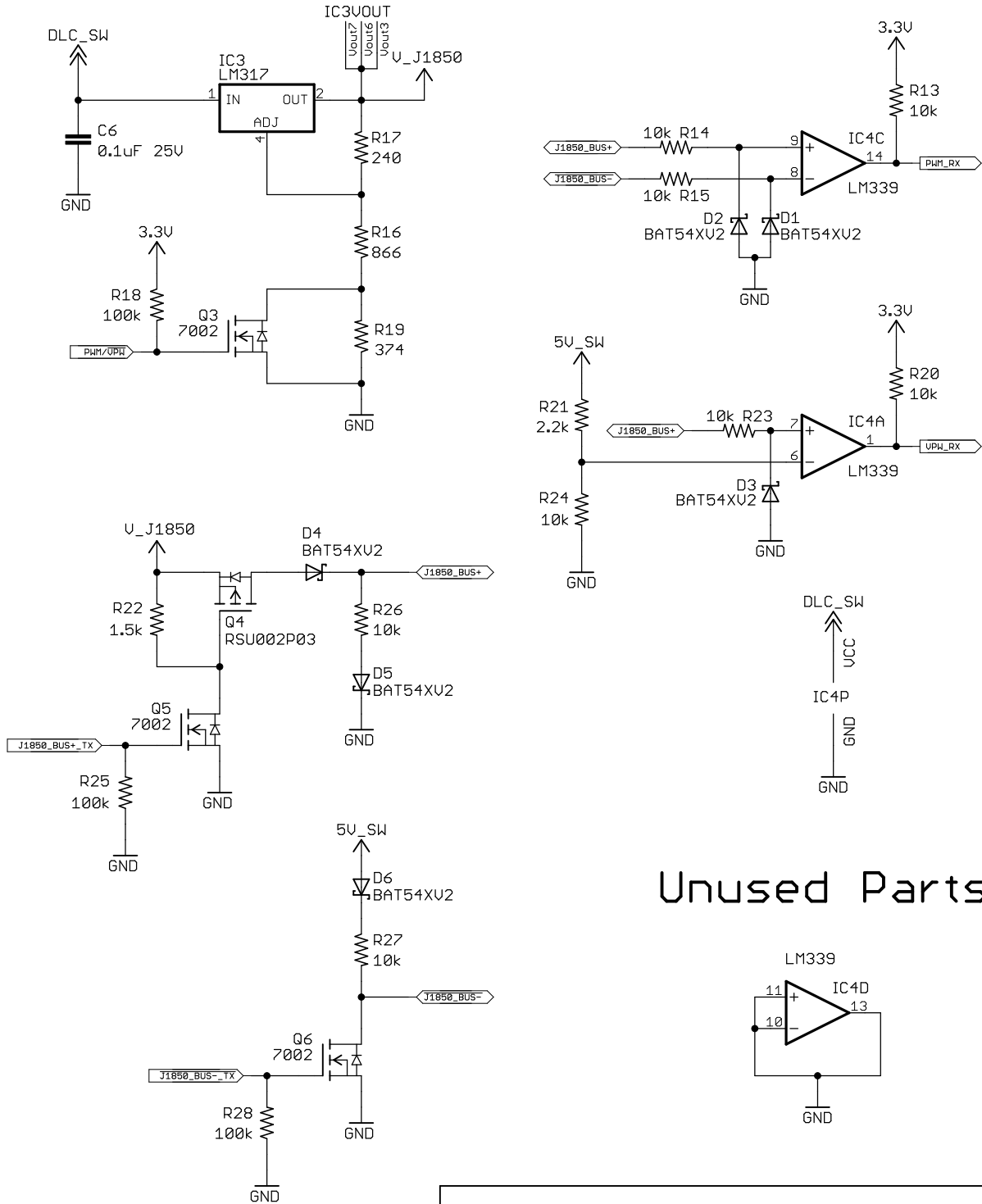
# Single Wire CAN Transceiver



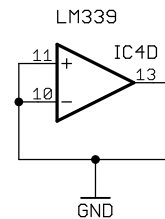
## OBD Solutions

Title: STM-OD-01	Rev: 1.3/C
Description: OBD-II, MS CAN, SW CAN Driver Module	
Date: 2015-05-15 2:16:51 PM	Sheet: 1/4

# J1850 Transceiver



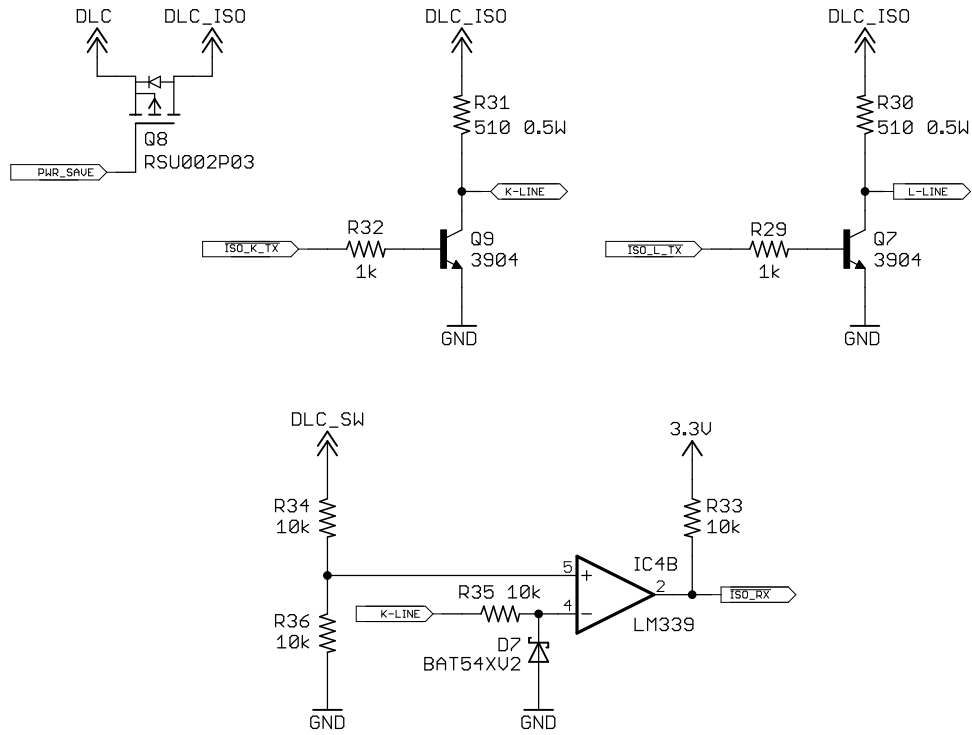
## Unused Parts



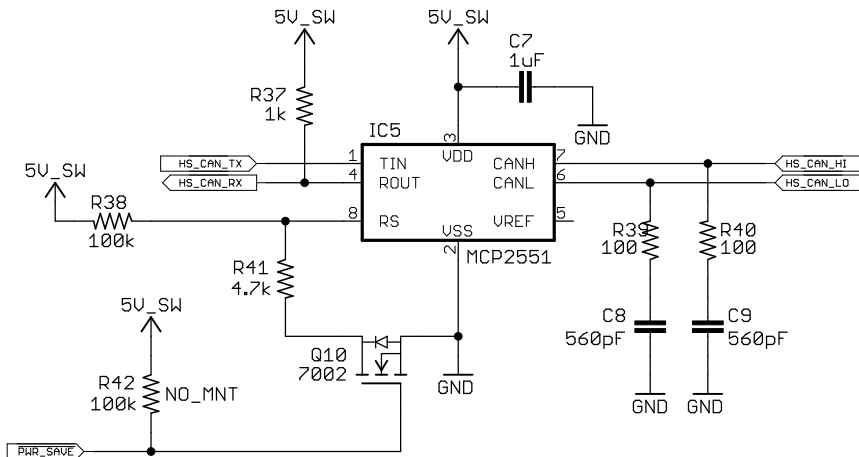
## OBD Solutions

Title: STM-OD-01	Rev: 1.3/C
Description: OBD-II, MS CAN, SW CAN Driver Module	
Date: 2015-05-15 2:16:51 PM	Sheet: 2/4

# ISO Transceiver



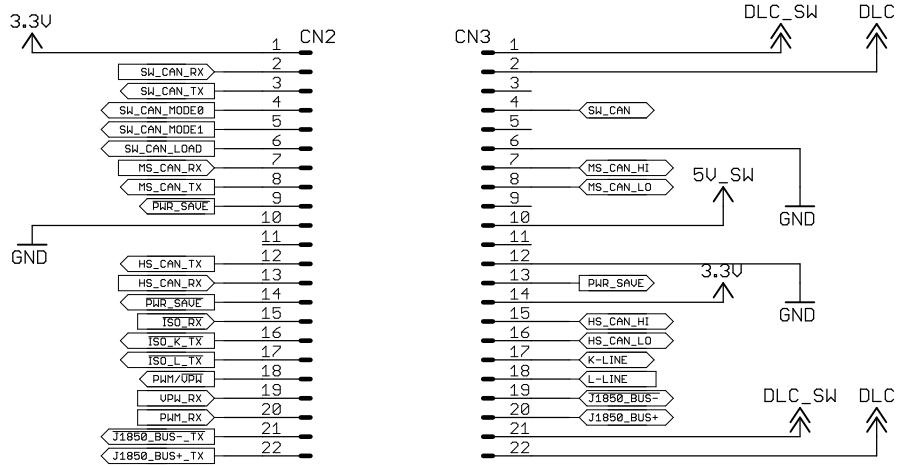
# High Speed CAN Transceiver



## OBD Solutions

Title: STM-OD-01	Rev: 1.3/C
Description: OBD-II, MS CAN, SW CAN Driver Module	
Date: 2015-05-15 2:16:51 PM	Sheet: 3/4

# Pinout



## OBD Solutions

Title: STM-OD-01	Rev: 1.3/C
Description: OBD-II, MS CAN, SW CAN Driver Module	
Date: 2015-05-15 2:16:51 PM	Sheet: 4/4