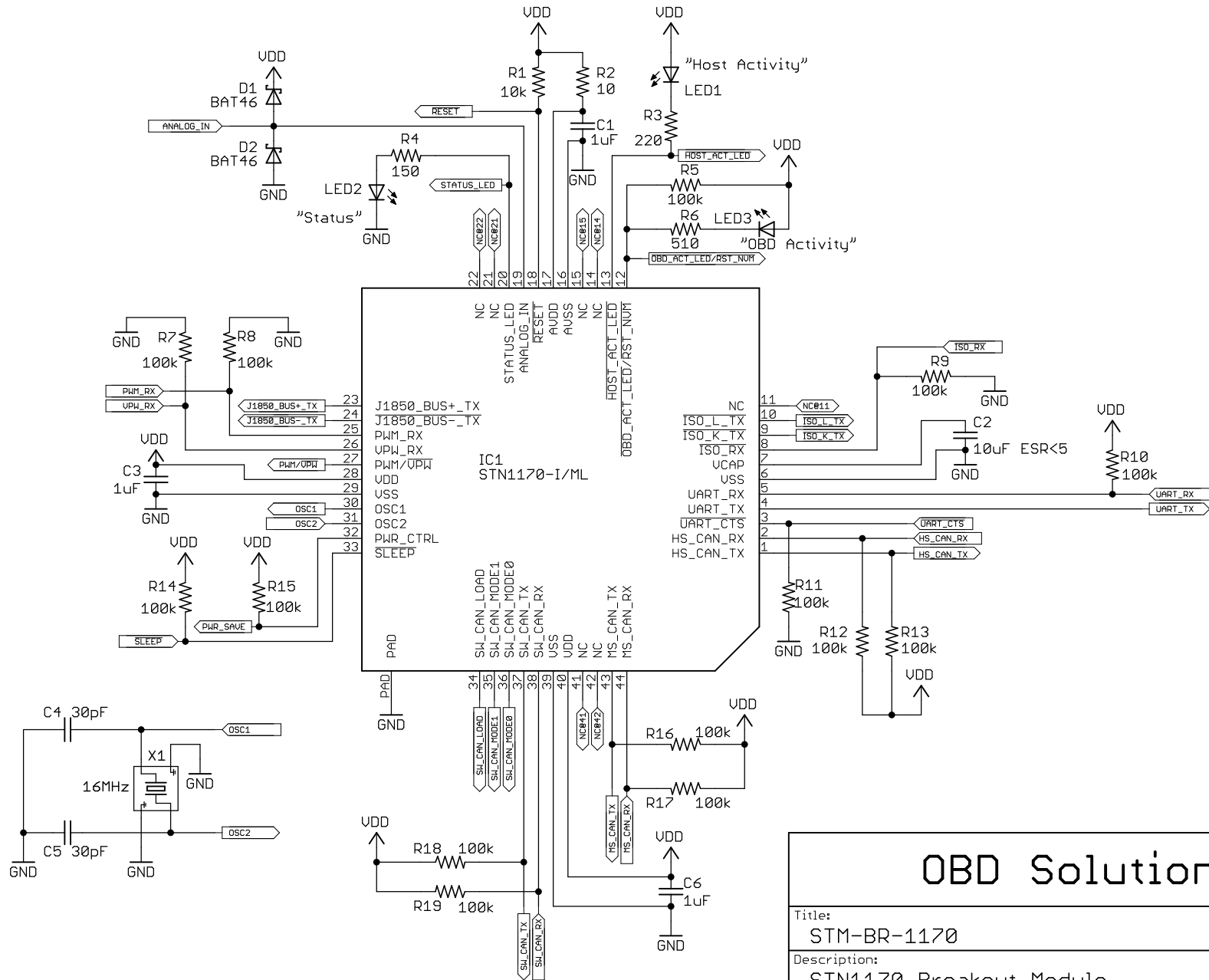


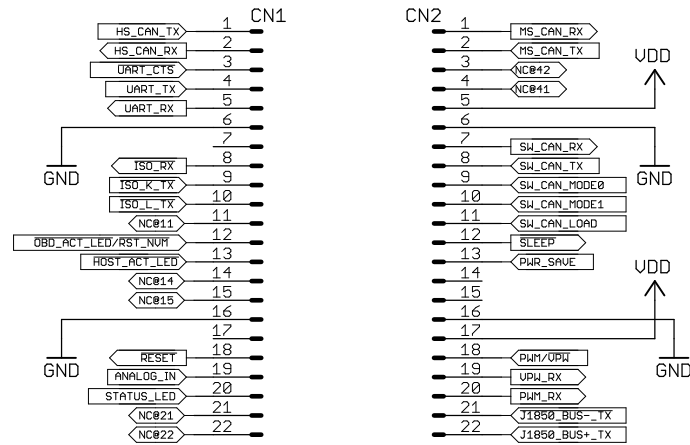
# Main Controller



## OBD Solutions

Title: STM-BR-1170	Rev: 1.3/C
Description: STM1170 Breakout Module	
Date: 2015-04-29 12:21:36 PM	Sheet: 1/2

# STN Pin Breakout



## OBD Solutions

Title: STM-BR-1170	Rev: 1.3/C
Description: STN1170 Breakout Module	
Date: 2015-04-29 12:21:36 PM	Sheet: 2/2