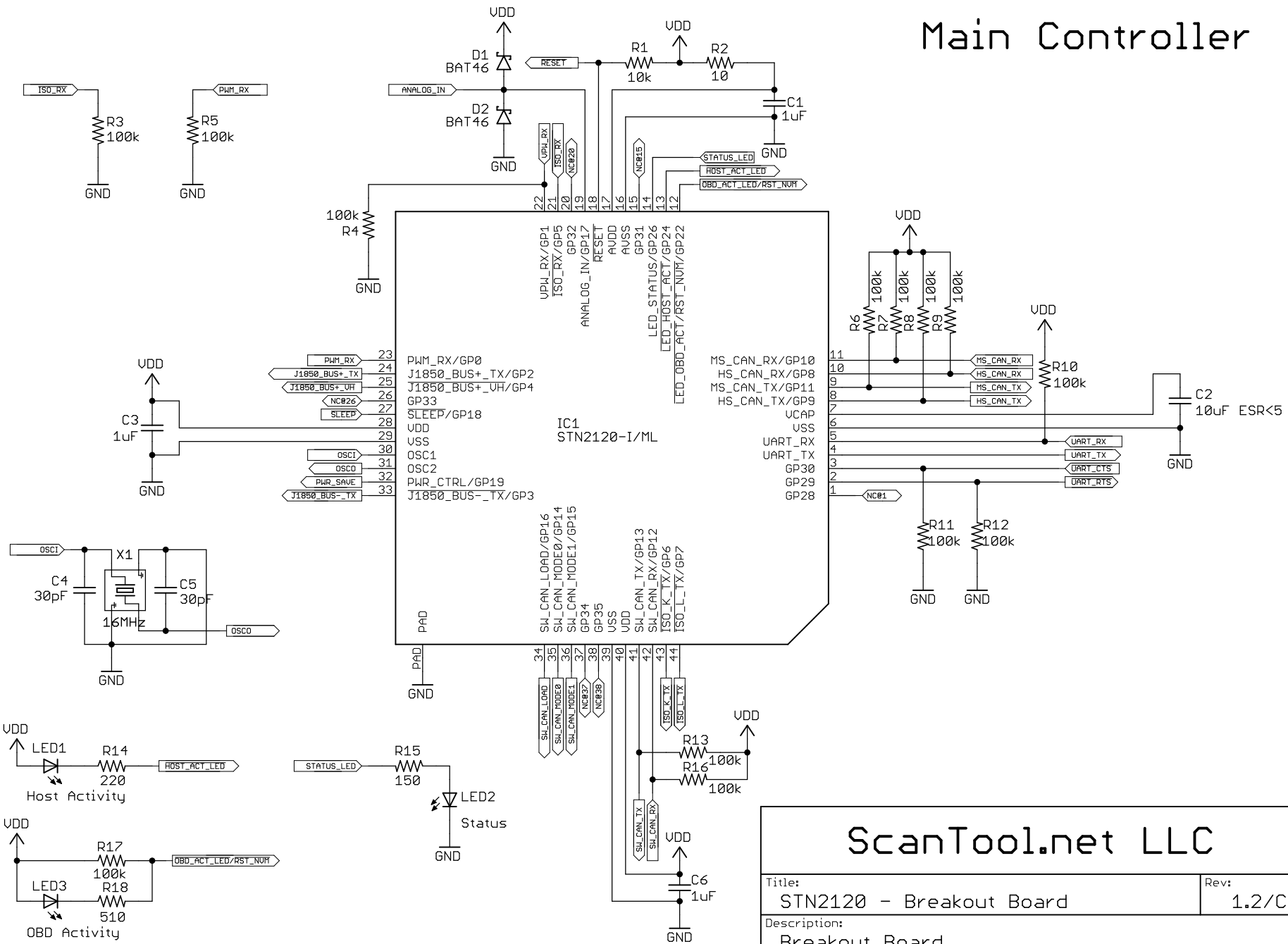


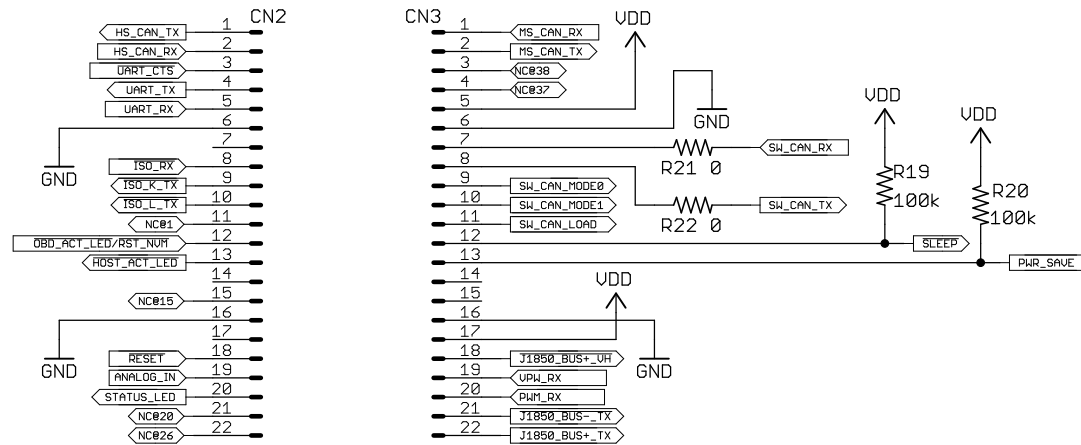
Main Controller



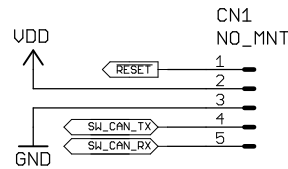
ScanTool.net LLC

Title:	STN2120 - Breakout Board	Rev:	1.2/C
Description:	Breakout Board		
Date:	8/9/2017 11:04:43 AM	Sheet:	1/2

STN Pin Breakout



ICSP



ScanTool.net LLC

Title:	STN2120 - Breakout Board	Rev:	1.2/C
Description:	Breakout Board		
Date:	8/9/2017 11:04:43 AM	Sheet:	2/2