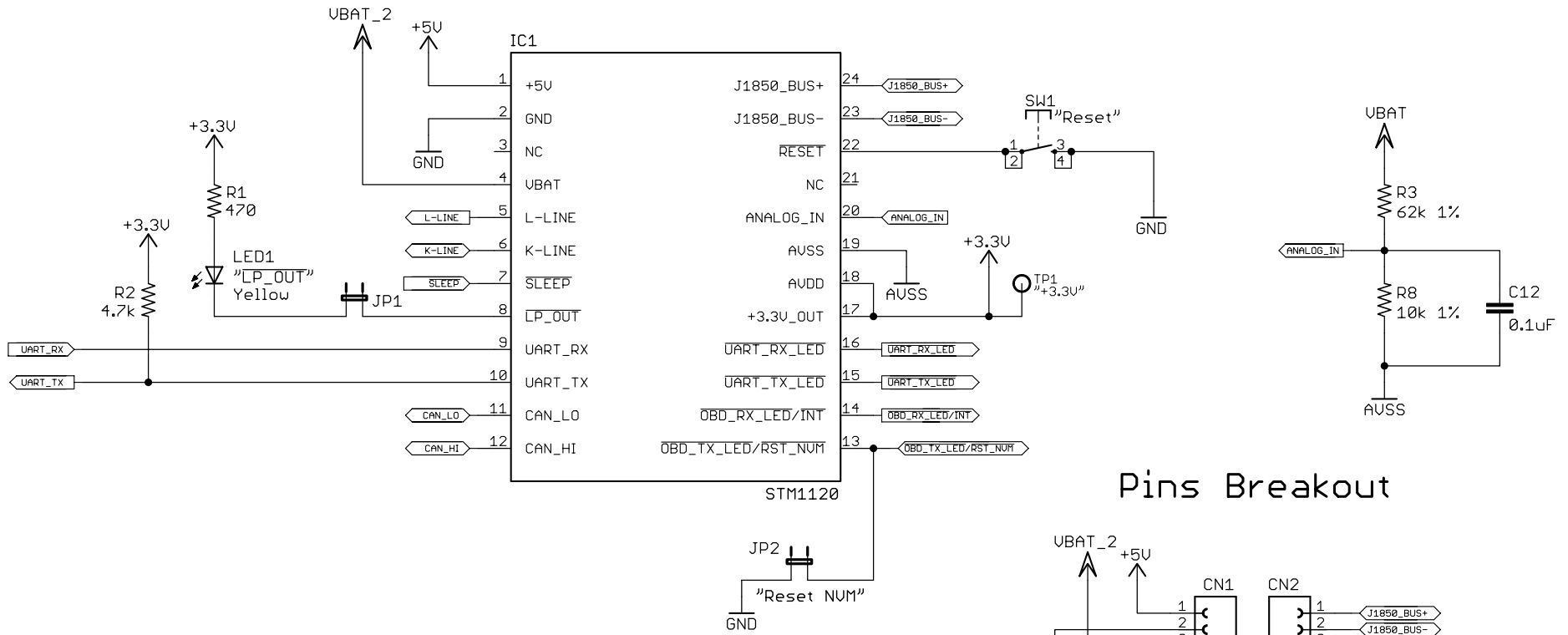
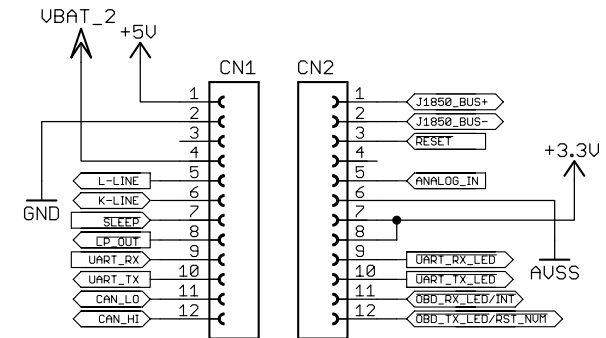


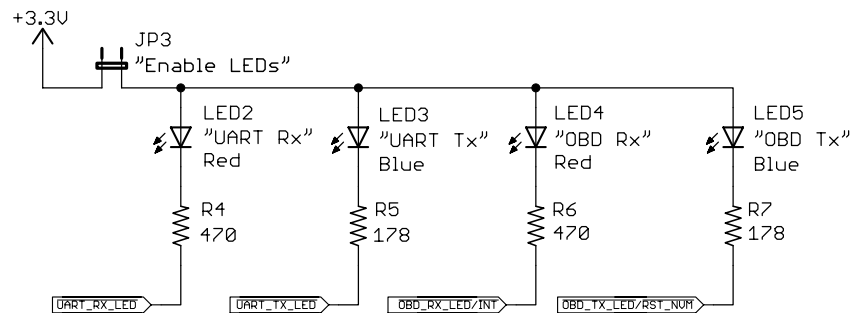
microOBD 200



Pins Breakout



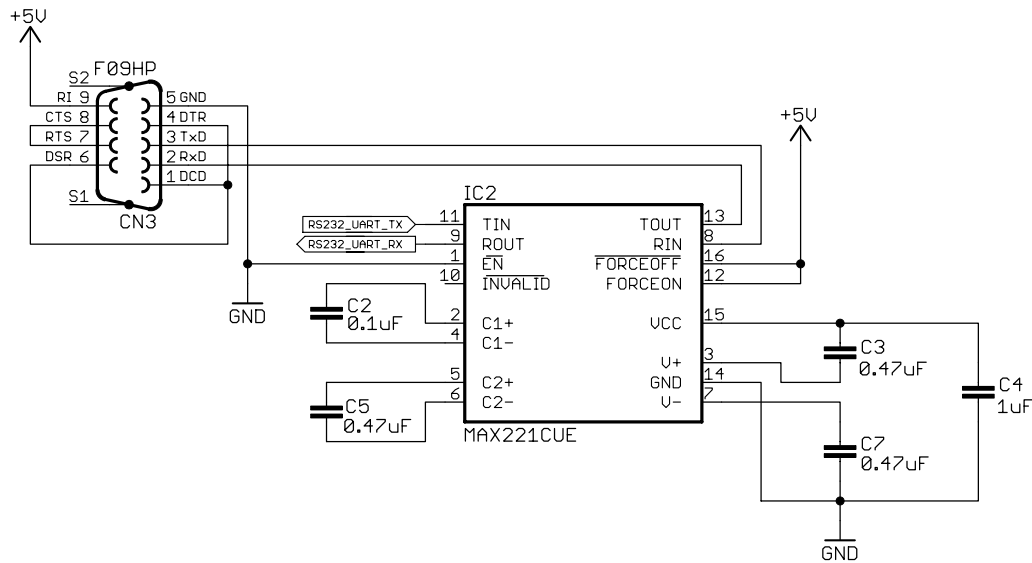
UART/OBD Activity LEDs



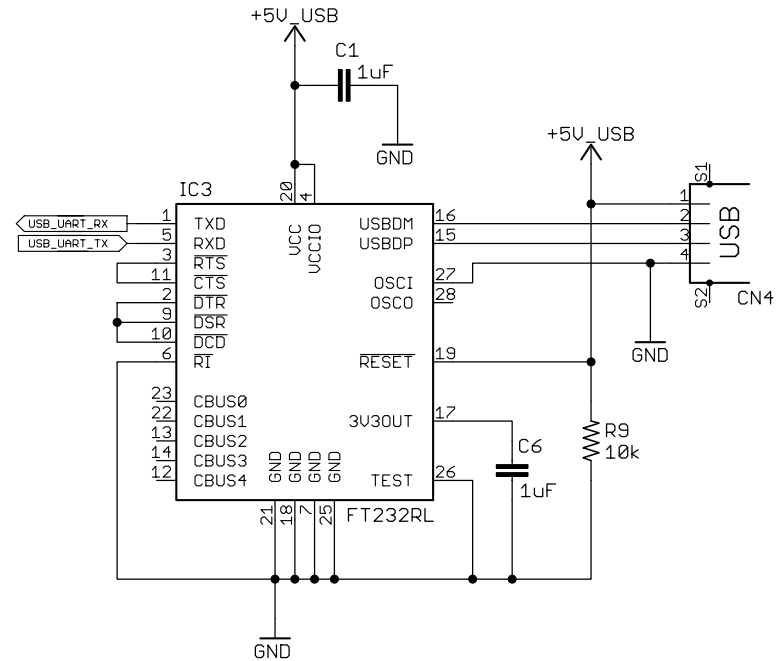
ScanTool.net LLC

Title:	microOBD 200 Dev Board	Rev:	1.0/A
Description:	microOBD 200 Development Board		
Date:	7/8/2010 4:04:42 PM	Sheet:	1/3

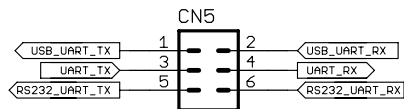
RS232



FTDI



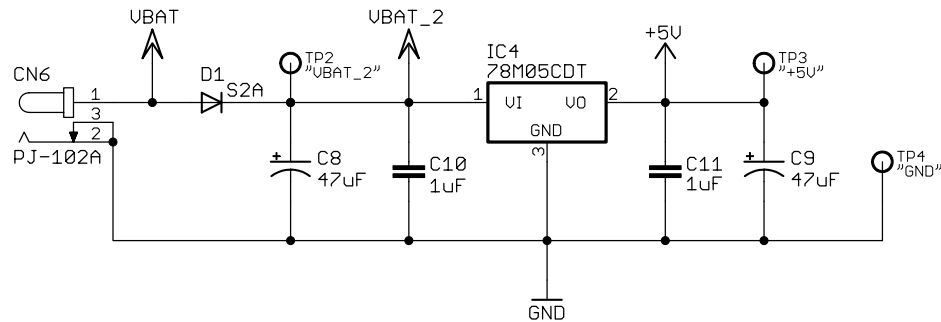
RS232/USB/UART Selector



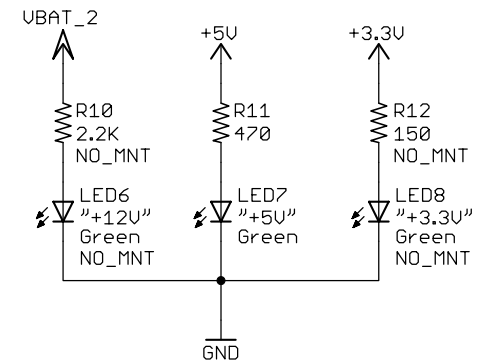
ScanTool.net LLC

Title: microOBD 200 Dev Board		Rev: 1.0/A
Description: microOBD 200 Development Board		
Date: 7/8/2010 4:04:42 PM	Sheet: 2/3	

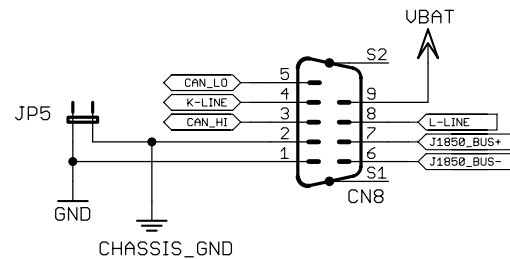
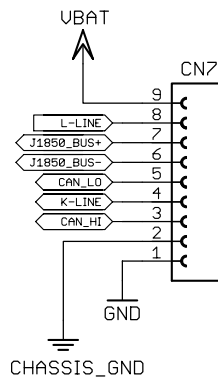
5V Power Supply



Power Indicators



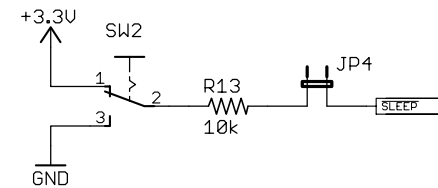
OBD Connections



CN8 connector is compatible with the following OBD2Cables.com cables:

- 143301
- 142201
- 145801

SLEEP Input Control



ScanTool.net LLC

Title:	microOBD 200 Dev Board	Rev:	1.0/A
Description:	microOBD 200 Development Board		
Date:	7/8/2010 4:04:42 PM	Sheet:	3/3